

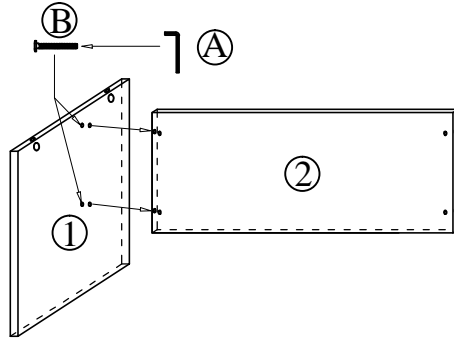
ASSEMBLY INSTRUCTION

PART	QTY
A	1

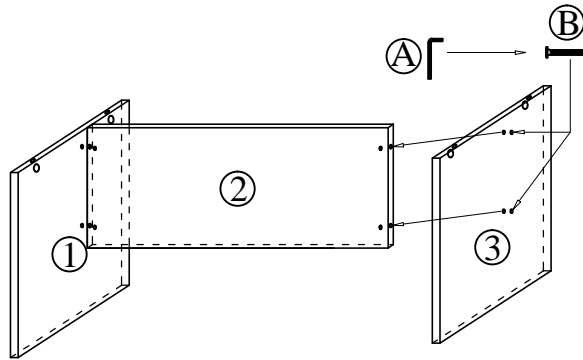
PART	QTY
B M6 x 50mm	4

PART	QTY
C	4 SETS

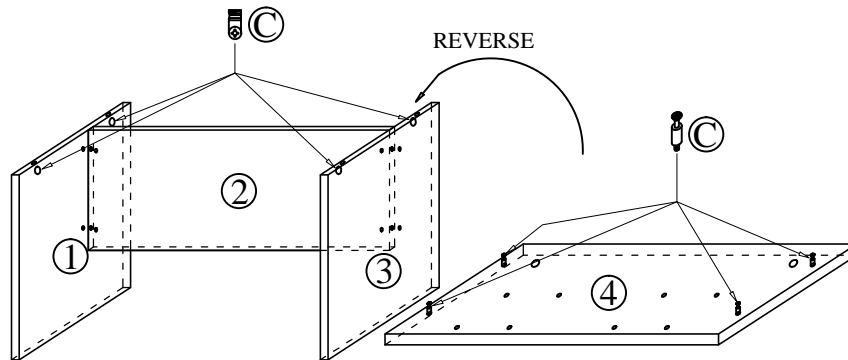
STEP 1



STEP 2



STEP 3



FINISHING

